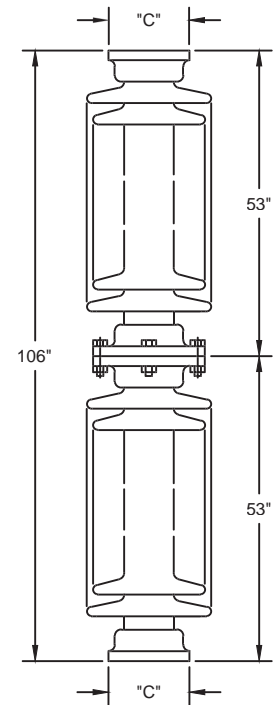


BIL 1300 kV HLD

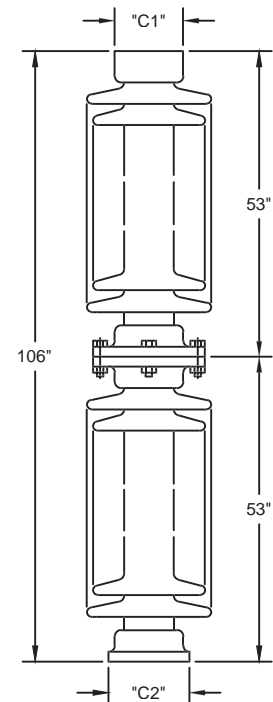
HLD UNIFORM STACKS

Catalog number	PH130901	PE130901
Components	PH1309Y PH1309X	PE1309Y PE1309X
Leakage distance (in.)	312	302
Cantilever Strength (lb.)	1,000	2,050
Tensile Strength (lb.)	25,000	40,000
Torsional Strength (in-lb.)	90,000	120,000
Compression Strength (lb.)	75,000	120,000
Critical Impulse Flashover Voltage, Positive (kV)	1,410	1,410
Withstand Voltage	Low Frequency, Wet (kV)	525
	Impulse (kV)	1,300
Radio-Influence Voltage Data	Test Voltage to Ground (kV)	220
	Maximum RIV at 1,000kHz (μ V)	1,000
(4) Tapped holes, size (in.)	5/8-11	3/4-10
Bolt circle diameter (in.)	5	7
Cap diameter (in.) - "C"	6 1/4	8 1/2



HLD TAPERED STACKS

Catalog number	PH13090	PE13090
Components	PH1309J PH1309X	PE1309J PE1309X
Leakage distance (in.)	310	304
Cantilever Strength (lb.)	1,000	2,050
Tensile Strength (lb.)	25,000	25,000
Torsional Strength (in-lb.)	90,000	90,000
Compression Strength (lb.)	75,000	90,000
Critical Impulse Flashover Voltage, Positive (kV)	1,410	1,410
Withstand Voltage	Low Frequency, Wet (kV)	525
	Impulse (kV)	1,300
Radio-Influence Voltage Data	Test Voltage to Ground (kV)	220
	Maximum RIV at 1,000kHz (μ V)	1,000
Top section:		
(4) Tapped holes, size (in.)	5/8-11	5/8-11
Bolt circle diameter (in.)	5	5
Cap diameter (in.) - "C1"	6 1/4	6 1/4
Base section:		
(4) Tapped holes, size (in.)	5/8-11	3/4-10
Bolt circle diameter (in.)	5	7
Cap diameter (in.) - "C2"	6 1/4	8 1/2

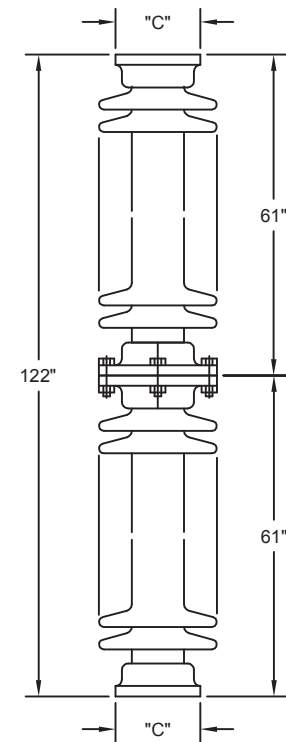


Notes: 1. These stacks are furnished with bolts, nuts and washers necessary for intermediate connection, and are not furnished with end mounting fasteners. State size at time of inquiry if mounting bolts are required.
2. Light gray, chocolate brown or semiconducting glaze is available.

BIL 1470 kV

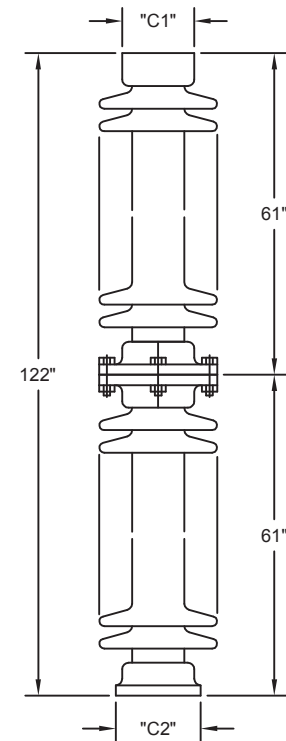
UNIFORM STACKS

Catalog number	PH147201	PE147201
Components	PH1472Y PH1472X	PE1472Y PE1472X
Technical reference number	330	372
Leakage distance (in.)	264	264
Cantilever Strength (lb.)	900	1,750
Tensile Strength (lb.)	25,000	40,000
Torsional Strength (in-lb.)	90,000	120,000
Compression Strength (lb.)	75,000	100,000
Critical Impulse Flashover Voltage, Positive (kV)	1,610	1,610
Withstand Voltage	Low Frequency, Wet (kV)	590
	Impulse (kV)	1,470
Radio-Influence	Test Voltage to Ground (kV)	220
Voltage Data	Maximum RIV at 1,000kHz (μ V)	1,000
		1,000
(4) Tapped holes, size (in.)	5/8-11	3/4-10
Bolt circle diameter (in.)	5	7
Cap diameter (in.) - "C"	6 1/4	8 1/2



TAPERED STACKS

Catalog number	PH147202	PE14720
Components	PH1472Y PH1472R	PH1472Y PE1472X
Technical reference number	371	373
Leakage distance (in.)	264	264
Cantilever Strength (lb.)	1,170	1,750
Tensile Strength (lb.)	25,000	25,000
Torsional Strength (in-lb.)	90,000	90,000
Compression Strength (lb.)	75,000	75,000
Critical Impulse Flashover Voltage, Positive (kV)	1,610	1,610
Withstand Voltage	Low Frequency, Wet (kV)	590
	Impulse (kV)	1470
Radio-Influence	Test Voltage to Ground (kV)	220
Voltage Data	Maximum RIV at 1,000kHz (μ V)	1,000
		1,000
Top section:		
(4) Tapped holes, size (in.)	5/8-11	5/8-11
Bolt circle diameter (in.)	5	5
Cap diameter (in.) - "C1"	6 1/4	6 1/4
Base section:		
(4) Tapped holes, size (in.)	3/4-10	3/4-10
Bolt circle diameter (in.)	7	7
Cap diameter (in.) - "C2"	8 1/2	8 1/2

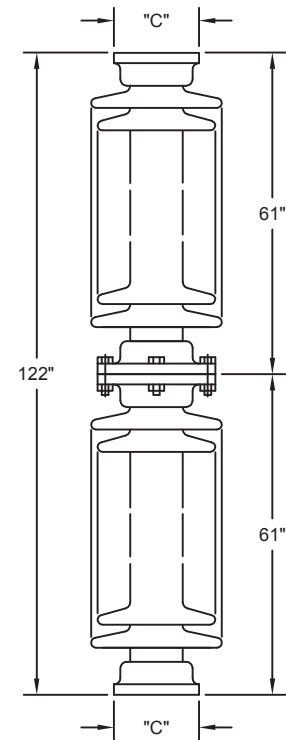


- Notes: 1. These stacks are furnished with bolts, nuts and washers necessary for intermediate connection, and are not furnished with end mounting fasteners. State size at time of inquiry if mounting bolts are required.
2. Light gray, chocolate brown or semiconducting glaze is available.

BIL 1470 kV HLD

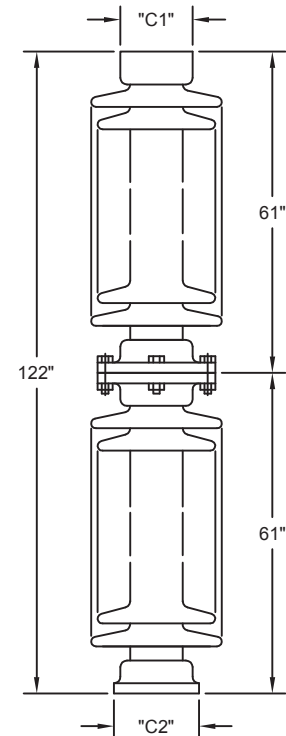
HLD UNIFORM STACKS

Catalog number	PH147901	PE147901
Components	PH1479Y PH1479X	PE1479Y PE1479X
Leakage distance (in.)	360	350
Cantilever Strength (lb.)	1,000	1,750
Tensile Strength (lb.)	25,000	40,000
Torsional Strength (in-lb.)	90,000	120,000
Compression Strength (lb.)	75,000	100,000
Critical Impulse Flashover Voltage, Positive (kV)	1,610	1,610
Withstand Voltage	Low Frequency, Wet (kV)	590
	Impulse (kV)	1,470
Radio-Influence Voltage Data	Test Voltage to Ground (kV)	220
	Maximum RIV at 1,000kHz (μ V)	1,000
(4) Tapped holes, size (in.)	5/8-11	3/4-10
Bolt circle diameter (in.)	5	7
Cap diameter (in.) - "C"	6 1/4	8 1/2



HLD TAPERED STACKS

Catalog number	PH147902	PE14790
Components	PH1479Y PH1479R	PE1479J PE1479X
Leakage distance (in.)	355	350
Cantilever Strength (lb.)	1,170	1,750
Tensile Strength (lb.)	25,000	25,000
Torsional Strength (in-lb.)	90,000	90,000
Compression Strength (lb.)	75,000	75,000
Critical Impulse Flashover Voltage, Positive (kV)	1,610	1,610
Withstand Voltage	Low Frequency, Wet (kV)	590
	Impulse (kV)	1,470
Radio-Influence Voltage Data	Test Voltage to Ground (kV)	220
	Maximum RIV at 1,000kHz (μ V)	1,000
Top section:		
(4) Tapped holes, size (in.)	5/8-11	5/8-11
Bolt circle diameter (in.)	5	5
Cap diameter (in.) - "C1"	6 1/4	6 1/4
Base section:		
(4) Tapped holes, size (in.)	3/4-10	3/4-10
Bolt circle diameter (in.)	7	7
Cap diameter (in.) - "C2"	8 1/2	8 1/2



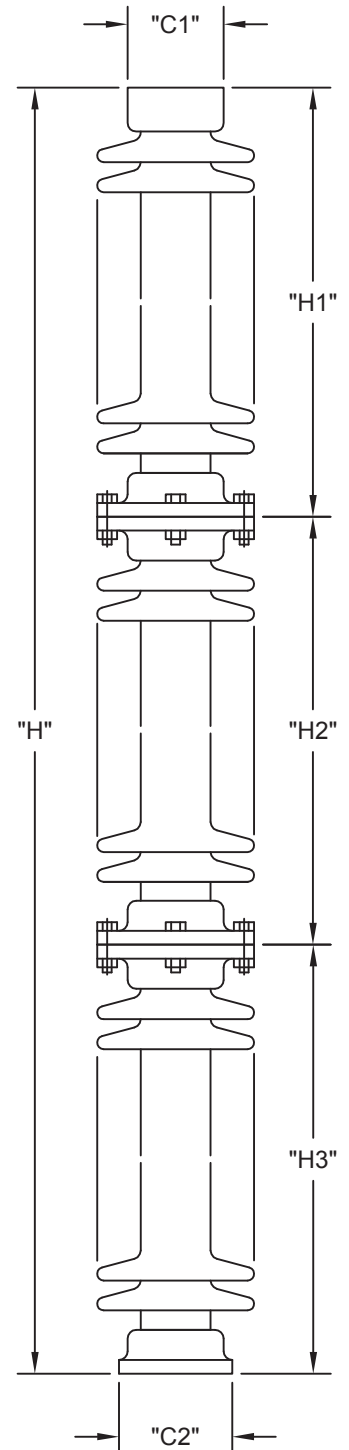
- Notes: 1. These stacks are furnished with bolts, nuts and washers necessary for intermediate connection, and are not furnished with end mounting fasteners. State size at time of inquiry if mounting bolts are required.
2. Light gray, chocolate brown or semiconducting glaze is available.

BIL 1550 - 2050 kV

CHARACTERISTICS

Basic Impulse Insulation Level (kV)		1,550	1,550	1,800	2,050
Catalog number		PX0611	PE15530	PX0800	PE20530
Components		PX0611J PX0611W PX0611X	PE1553J PE1553W PE1553X	PX0800J PX0800W PX0710X	PH1472Y PE2053W PE1472X
Technical reference number		378	379	391	400
Leakage distance (in.)		320	280	330	396
Cantilever Strength (lb.)		1,000	1,700	1,400	1,200
Tensile Strength (lb.)		20,000	20,000	20,000	20,000
Torsional Strength (in-lb.)		60,000	40,000	40,000	60,000
Compression Strength (lb.)		60,000	60,000	60,000	60,000
Critical Impulse Flashover Voltage, Positive (kV)		1,710	1,710	2,000	2,420
Withstand Voltage	Low Frequency, Wet (kV)	620	620	710	830
	Impulse (kV)	1,550	1,550	1,800	2,050
Radio-Influence Voltage Data	Test Voltage to Ground (kV)	318	318	318	350
	Maximum RIV at 1,000kHz (μ V)	2,000	2,000	2,000	2,000
Total Height (in.) - "H"		128	128	152	182
Top section:	Height (in.) - "H1"	43	43	51	61
	(4) Tapped holes, size (in.)	5/8-11	5/8-11	5/8-11	5/8-11
	Bolt circle diameter (in.)	5	5	5	5
	Cap diameter (in.) - "C1"	6 1/4	6 1/4	6 1/4	6 1/4
Center section: Height (in.) - "H2"		42	42	50	60
Base section:	Height (in.) - "H3"	43	43	51	61
	(4) Tapped holes, size (in.)	3/4-10	3/4-10	3/4-10	3/4-10
	Bolt circle diameter (in.)	7	7	7	7
	Cap diameter (in.) - "C2"	8 1/2	8 1/2	8 1/2	9 3/8

- Notes: 1. These stacks are furnished with bolts, nuts and washers necessary for intermediate connection, and are not furnished with end mounting fasteners. State size at time of inquiry if mounting bolts are required.
2. Light gray, chocolate brown or semiconducting glaze is available.

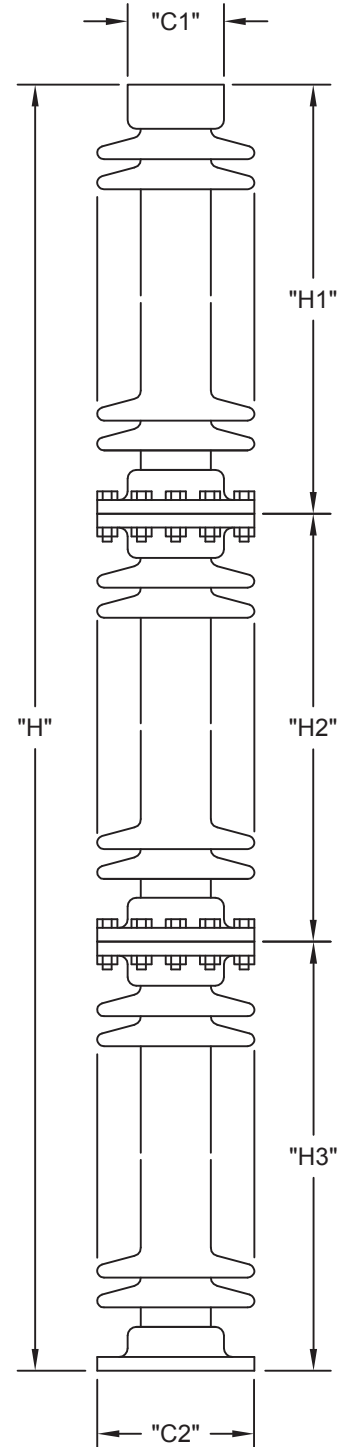


BIL 1550 - 2050 kV FLANGED BASE STACKS

CHARACTERISTICS

Basic Impulse Insulation Level (kV)	1,550	1,800	1,800	2,050	
Catalog number	PX0602	PX0590	PX0603	PX0608	
Components	PX0602J PX0602W PX0602S	PH1472Y PE1803W PX0590S	PX603J PX603W PX0603S	PX608J PX608W PX0608S	
Technical Reference number	380	392	393	401	
Leakage distance (in.)	305	330	360	432	
Cantilever Strength (lb.)	2,500	1,750	2,500	2,000	
Tensile Strength (lb.)	25,000	20,000	25,000	20,000	
Torsional Strength (in-lb.)	60,000	60,000	90,000	60,000	
Compression Strength (lb.)	60,000	60,000	90,000	60,000	
Critical Impulse Flashover Voltage, Positive (kV)	1,710	2,000	2,000	2,250	
Withstand Voltage	Low Frequency, Wet (kV)	620	710	710	830
	Impulse (kV)	1,550	1,800	1,800	2,050
Radio-Influence Voltage Data	Test Voltage to Ground (kV)	318	318	318	350
	Maximum RIV at 1,000kHz (μV)	2,000	2,000	2,000	2,000
Total Height (in.) - "H"	128	152	152	185	
Top section:	Height (in.) - "H1"	43	61	51	62
	(4) Tapped holes, size (in.)	5/8-11	5/8-11	5/8-11	5/8-11
	Bolt circle diameter (in.)	5	5	5	5
	Cap diameter (in.) - "C1"	6 1/4	6 1/4	6 1/4	6 1/4
Center section:	Height (in.) - "H2"	42	45	50	61
Base section:	Height (in.) - "H3"	43	46	51	62
	Hole size (in.) & number	13/16 (4)	13/16 (4)	13/16 (4)	11/16 (8)
	Bolt circle diameter (in.)	14	14	14	14
	Flange diameter (in.) - "C2"	15 3/8	15 3/8	15 3/8	15 3/8

- Notes: 1. These stacks are furnished with bolts, nuts and washers necessary for intermediate connection, and are not furnished with end mounting fasteners. State size at time of inquiry if mounting bolts are required.
2. Light gray, chocolate brown or semiconducting glaze is available.

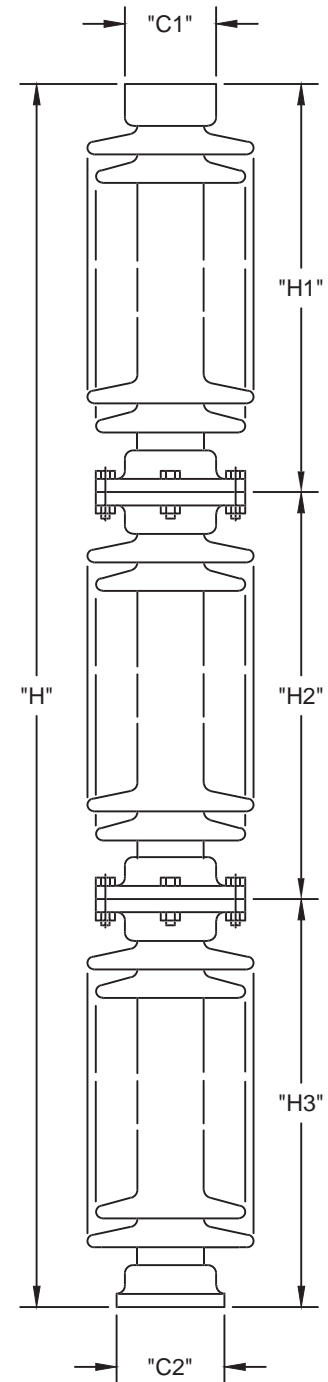


BIL 1550 - 2050 kV HLD

CHARACTERISTICS

Basic Impulse Insulation Level (kV)	1,550	1,800	2,050	
Catalog number	PE15590	PE18090	PE20590	
Components	PE1559J0 PE1559W0 PE1559X0	PH1479Y1 PE1809W0 PE1059X0	PH1479Y1 PE2059W0 PE2059X0	
Leakage distance (in.)	356	436	536	
Cantilever Strength (lb.)	1,700	1,400	1,200	
Tensile Strength (lb.)	20,000	20,000	20,000	
Torsional Strength (in-lb.)	40,000	40,000	60,000	
Compression Strength (lb.)	60,000	60,000	60,000	
Critical Impulse Flashover Voltage, Positive (kV)	1,710	2,000	2,420	
Withstand Voltage	Low Frequency, Wet (kV)	620	710	830
	Impulse (kV)	1,550	1,800	2,050
Radio-Influence Voltage Data	Test Voltage to Ground (kV)	318	318	350
	Maximum RIV at 1,000kHz (μ V)	2,000	2,000	2,000
Total Height (in.) - "H"		128	152	182
Top section:	Height (in.) - "H1"	43	61	61
	(4) Tapped holes, size (in.)	5/8-11	5/8-11	5/8-11
	Bolt circle diameter (in.)	5	5	5
Cap diameter (in.) - "C1"		6 1/4	6 1/4	6 1/4
Center section: Height (in.) - "H2"		42	45	60
Base section:	Height (in.) - "H3"	43	46	61
	(4) Tapped holes, size (in.)	3/4-10	3/4-10	3/4-10
	Bolt circle diameter (in.)	7	7	7
Cap diameter (in.) - "C2"		8 1/2	8 1/2	9 3/8

- Notes: 1. These stacks are furnished with bolts, nuts and washers necessary for intermediate connection, and are not furnished with end mounting fasteners. State size at time of inquiry if mounting bolts are required.
2. Light gray, chocolate brown or semiconducting glaze is available.





Today's sensitive electronics and complex automated manufacturing requires a high degree of reliability in the power delivery system.

That degree of reliability can only be provided by modern solid-core station post insulators.